

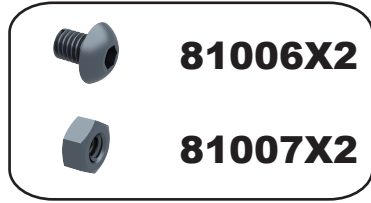
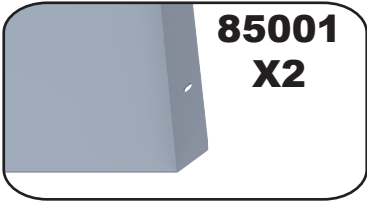
ASSEMBLY MANUAL



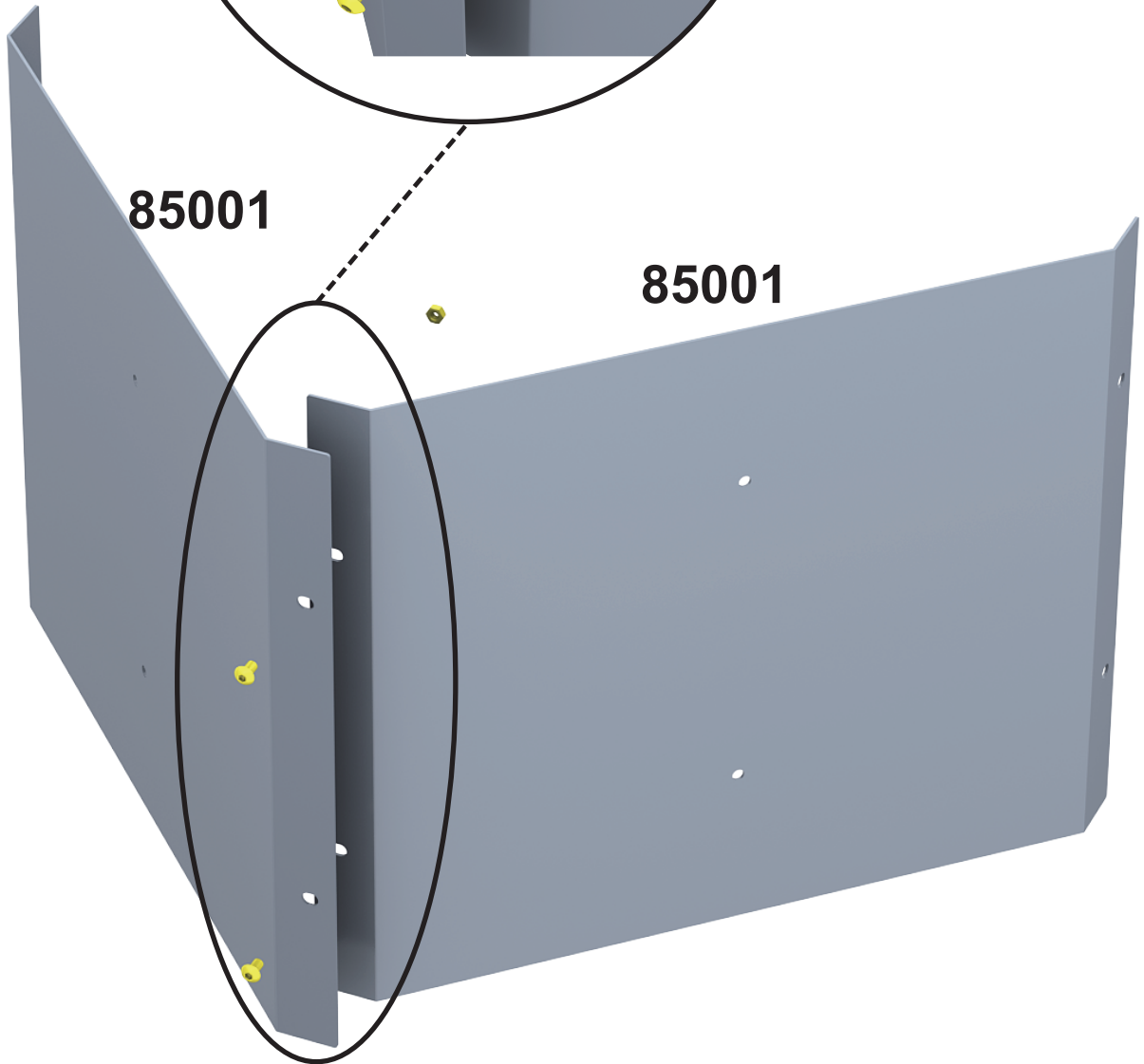
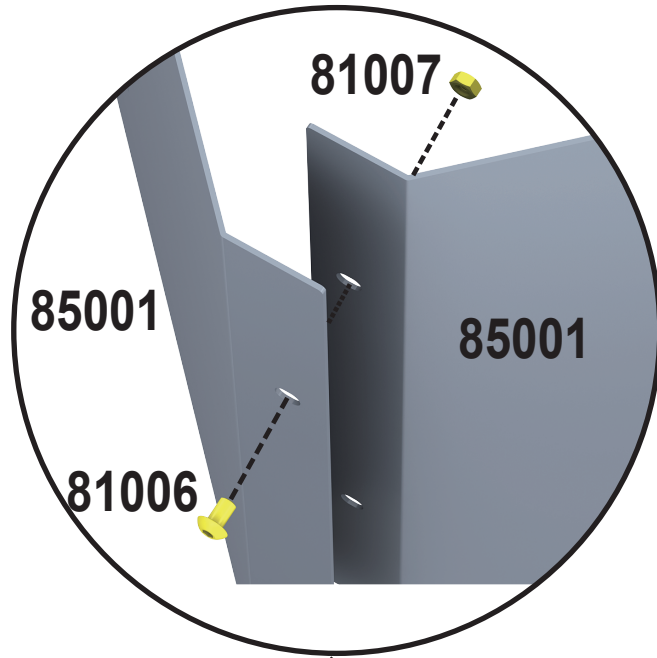
L500xW500xH400 MM

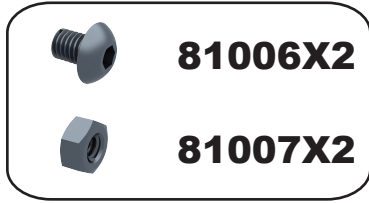
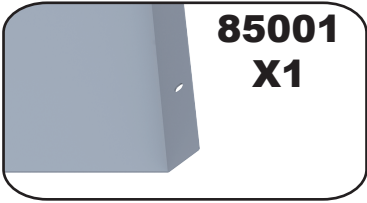
Component Display

85001		4
81006	 M6*10	8
81007	 M6	8
81008		1
81009		1

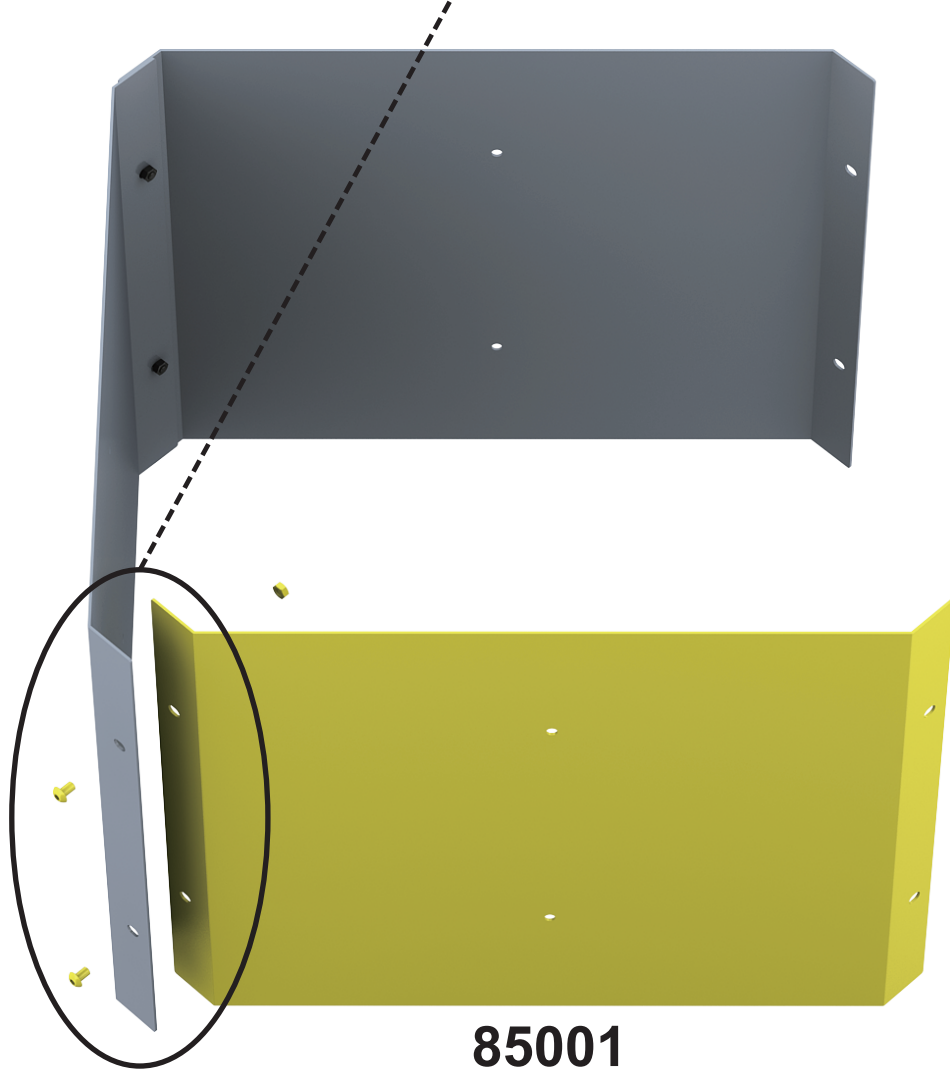
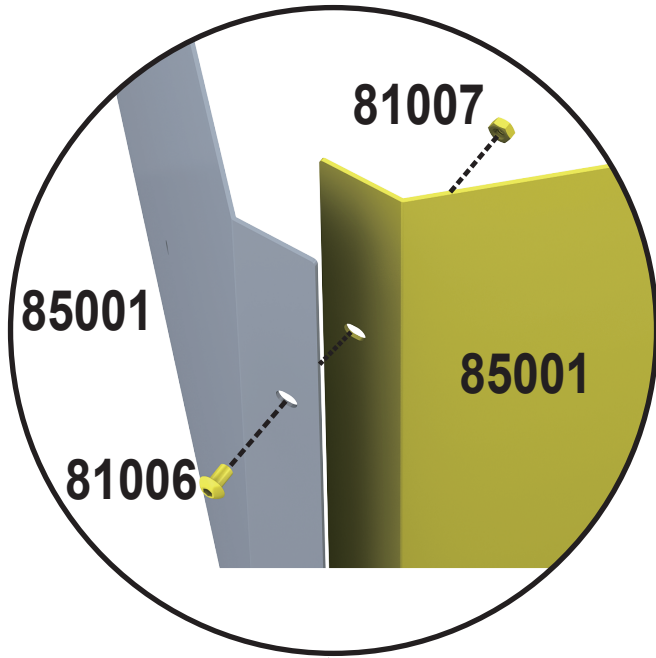


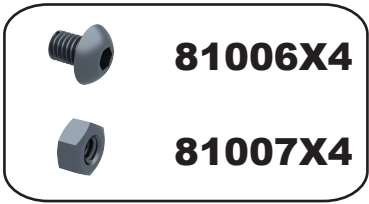
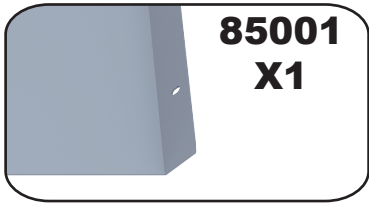
STEP.1



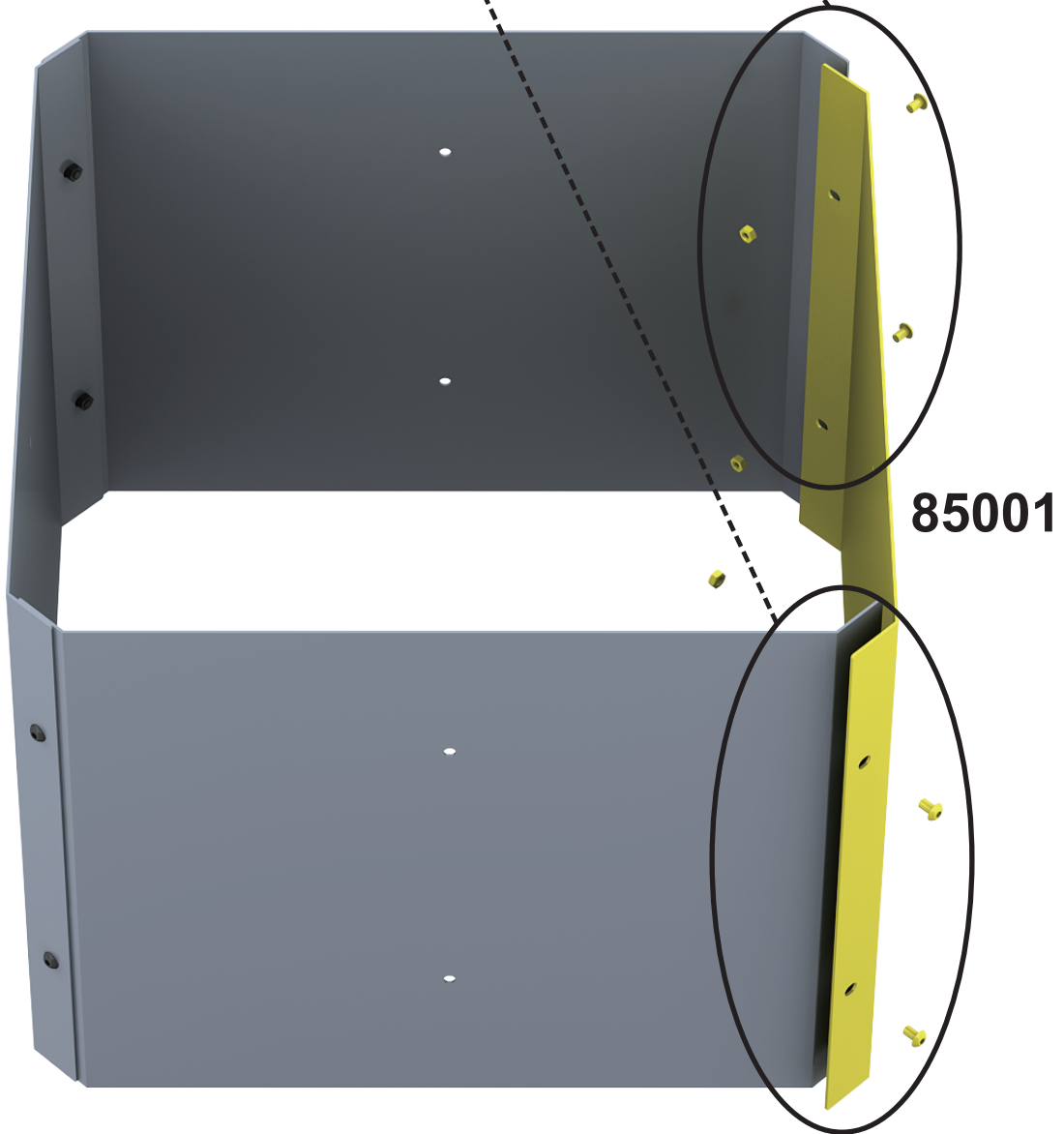
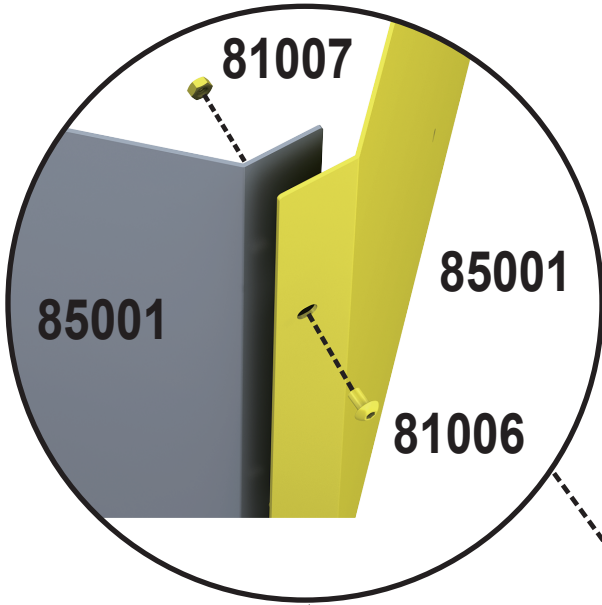


STEP.2





STEP.3



Assembly completed, adjust your size.

STEP.4

